

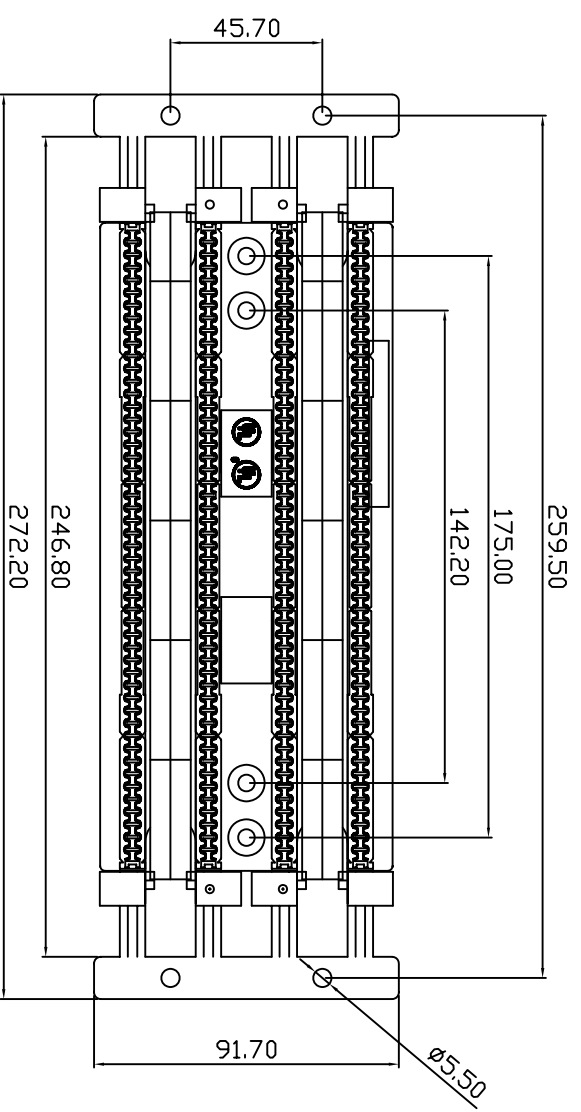
4

3

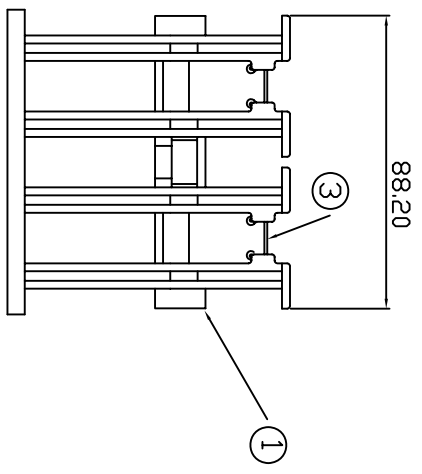
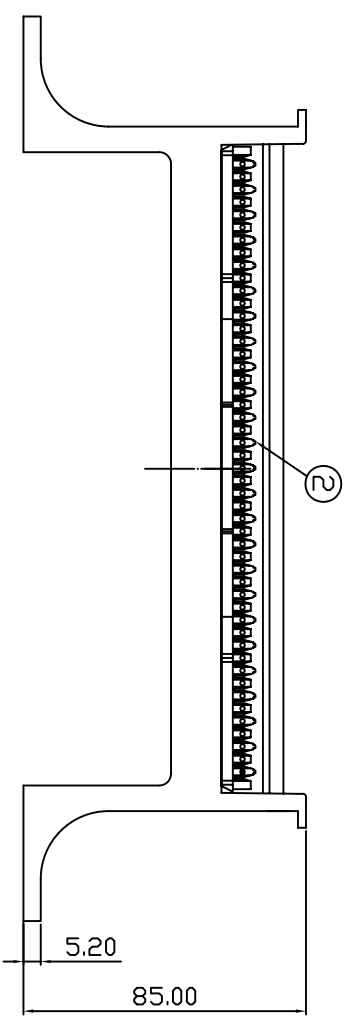
2

1

REVISIONS				
ZONE	REV	DESCRIPTION	DATE	DRAWN
	A			



ITEM	PARTS DESCRIPTION	Q'TY	P/N
1	100PR BASE WITH LEG	1	LP1340
2	25 PR INSERT	4	LP1019
3	INDEX HOLDER	2	LP1027/LH300046



NOTE:

1. MATERIAL: Panel: SPCC (t=1.50mm),
2. PACKAGING: 1 PC/bag, 3 PCS/Eurofan box
Eurofan box size: 282X279X94 mm
10 PCS Eurofan box/Eurofan carton
Eurofan carton size: 576X297X527 mm

UNLESS OTHERWISE SPECIFIED:		PROJECT ID		TITLE	
TOLERANCES		28A-U5-1HWT		110 Block 100pair	
INCH	XXX ± .016	MM	XXX ± .02	EUROFAN	
ANGULAR	.XX ± .1	ANGULAR	.X ± .5		
MATERIAL	XXX ± .004	DRAWN	Winnie	SIZE	A4
SURFACE		CHECK		DRAWING NUMBER	
FINISH		APPROVED		PART NUMBER	
SCALE		1 : 1	UNIT	MM	SHEET
					1 OF 1
				REV	A